

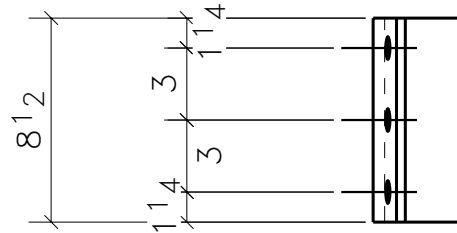
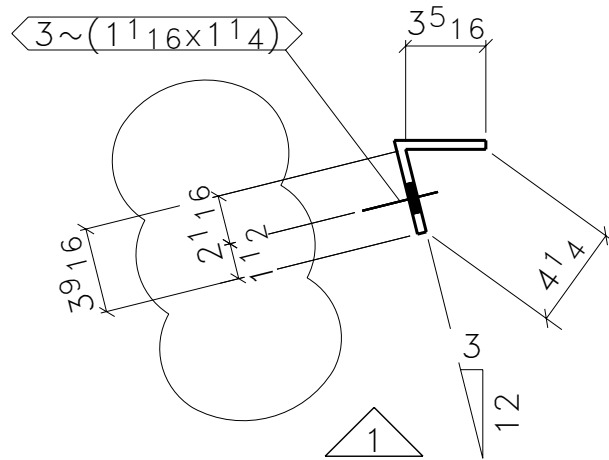
ONE - MK: a2047

ASSEMBLY	QTY.	SEQ.
2128B1	1	8

BILL OF MATERIAL

PIECE MARK	QTY.	DESCRIPTION	LENGTH	REMARKS	MILL ORDER
a2047	1	L4X3-1/2X3/8	1'-2 1/2"	A36	

0		ISSUED FOR CONSTRUCTION	
REV.	DATE	DESCRIPTION	
			HOLES U.N. 13/16
			DRAWN BY. RG
			CHKD. BY.
PROJECT			JOB NO.
			SHT. NO. a2047



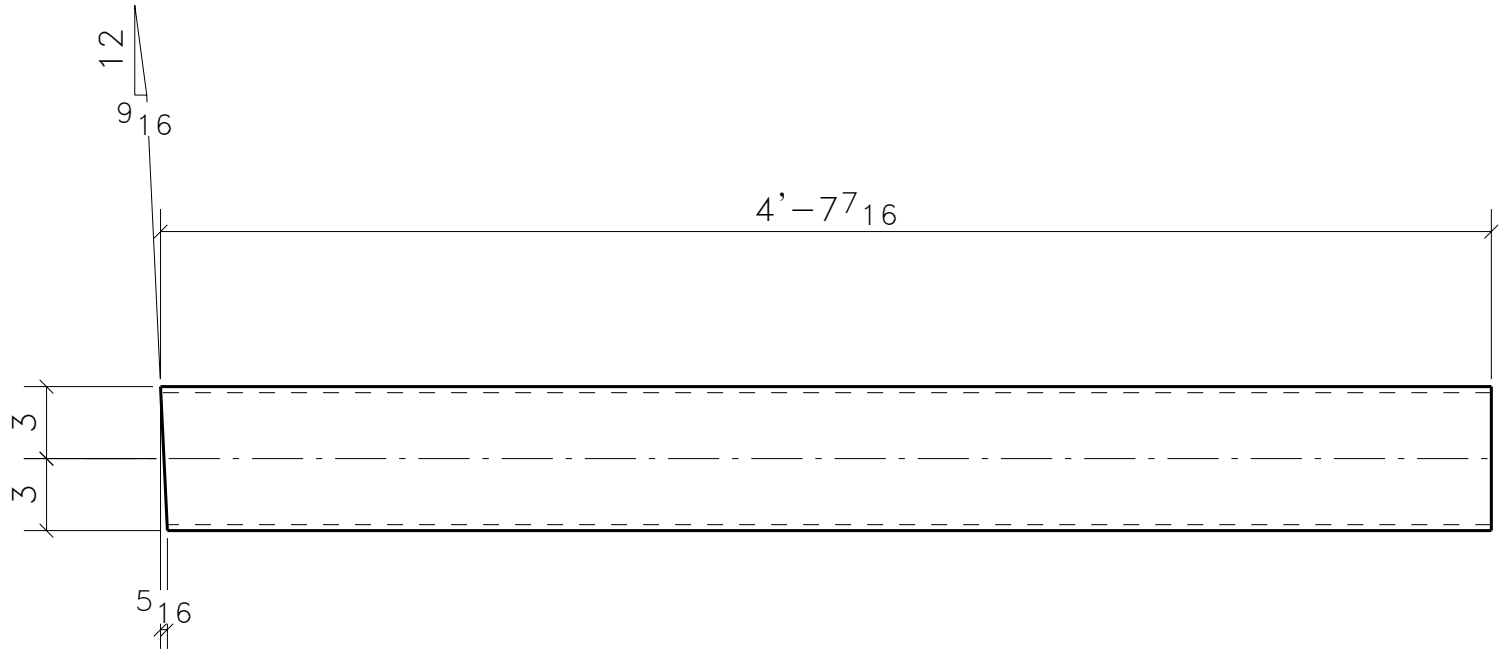
ONE - MK: h1012

ASSEMBLY	QTY.	SEQ.
1210B4	1	4

BILL OF MATERIAL

PIECE MARK	QTY.	DESCRIPTION	LENGTH	REMARKS	MILL ORDER
h1012	1	BPL3/8X6 7/8	0'-8 1/2"	A36	

1	11.10.08	DIMENSION REVISED	
0	9.14.08	ISSUED FOR CONSTRUCTION	
REV.	DATE	DESCRIPTION	
			HOLES U.N. 13/16
			DRAWN BY.
			CHKD. BY.
		PROJECT	JOB NO.
			SHT. NO. h1012



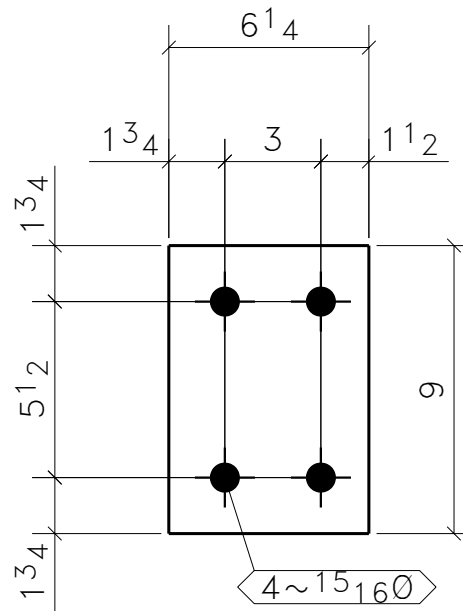
ONE - MK: m1240

ASSEMBLY	QTY.	SEQ.
1229B4	1	1

BILL OF MATERIAL

PIECE MARK	QTY.	DESCRIPTION	LENGTH	REMARKS	MILL ORDER
m1240	1	HSS6X6X1/4	4'-7 7/16"	A500-B	

0	11-10-08	ISSUED FOR FABRICATION	
REV.	DATE	DESCRIPTION	
			HOLES U.N. 13/16
			DRAWN BY.
			CHKD. BY.
PROJECT			JOB NO.
			SHT. NO. m1240



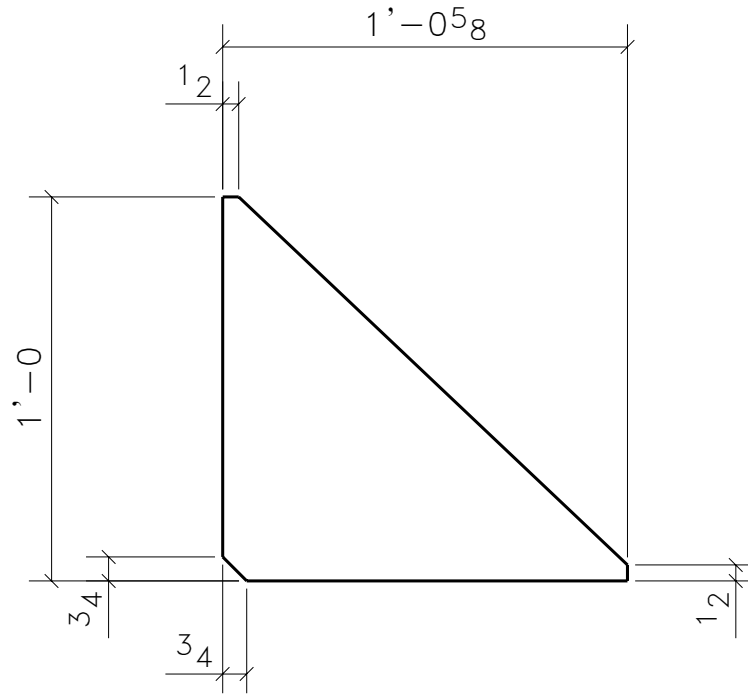
ASSEMBLY	QTY.	SEQ.
1018C2	2	2
1021C1	2	2
1028C1	2	3
1028C2	2	3
1029C1	2	3
1029C2	4	3
1030C1	4	3
1030C2	2	3
1031C1	2	3
1031C2	4	3
1032C1	4	3
1032C2	2	3

32 - MK: p1107

REV.	DATE	DESCRIPTION
0	9-10-08	ISSUED FOR CONSTRUCTION
		HOLES U.N. 13/16
		DRAWN BY. RG
		CHKD. BY.
PROJECT		JOB NO.
		SHT. NO. p1107

BILL OF MATERIAL

PIECE MARK	QTY.	DESCRIPTION	LENGTH	REMARKS	MILL ORDER
p1107	32	PL1/8X6 1/4	0'-9"	A36	



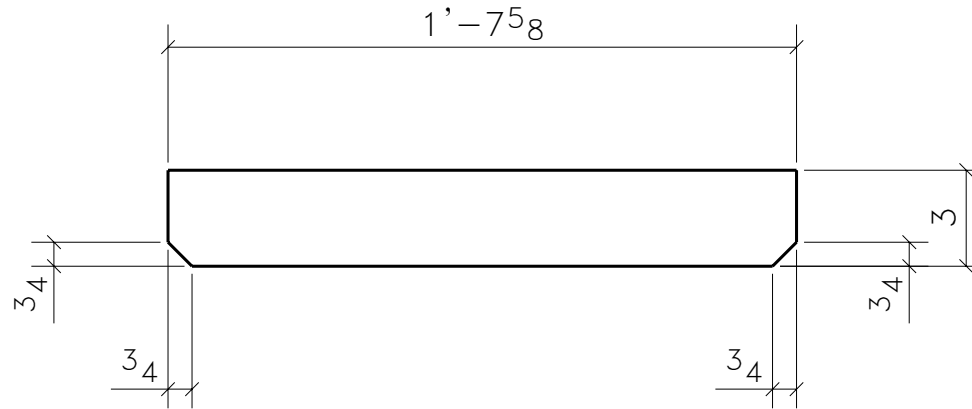
ASSEMBLY	QTY.	SEQ.
2002C1	2	7
2003C1	2	7

4 - MK: p2038

BILL OF MATERIAL

PIECE MARK	QTY.	DESCRIPTION	LENGTH	REMARKS	MILL ORDER
p2038	4	PL1 1/2X12	1'-0 5/8"	A572-50	

0	10-13-08	ISSUED FOR CONSTRUCTION	
REV.	DATE	DESCRIPTION	
			HOLES U.N. 13/16
			DRAWN BY.
			CHKD. BY.
		PROJECT	JOB NO.
			SHT. NO. p2038



ASSEMBLY	QTY.	SEQ.
2112B1	6	9
2112B2	6	9

12 - MK: p2026

BILL OF MATERIAL

PIECE MARK	QTY.	DESCRIPTION	LENGTH	REMARKS	MILL ORDER
p2026	12	PL3/8X3	1'-7 5/8"	A36	

0	10/19/06	ISSUED FOR CONSTRUCTION	
REV.	DATE	DESCRIPTION	
			HOLES U.N. 13/16
			DRAWN BY.
			CHKD. BY. GVS RG
		PROJECT	JOB NO.
			SHT. NO. p2026