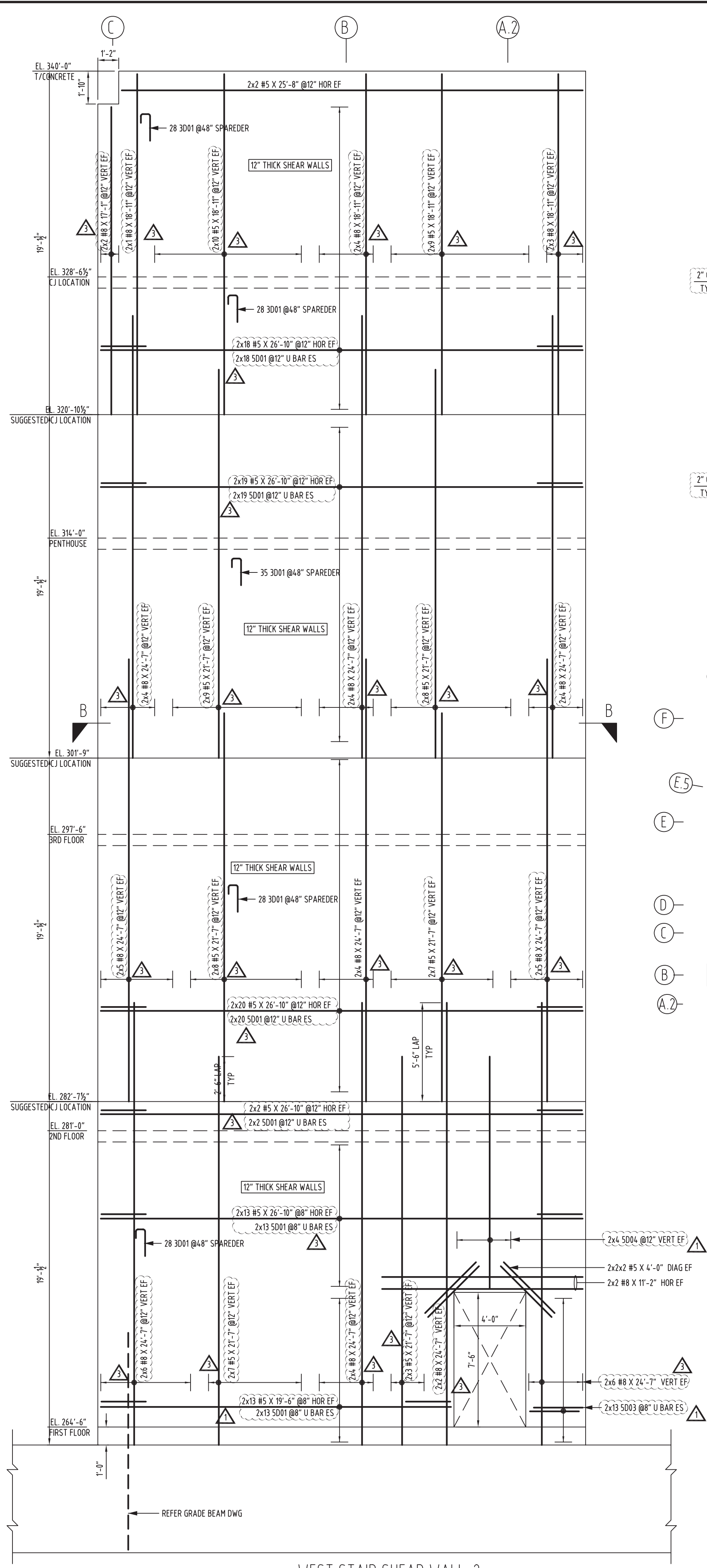
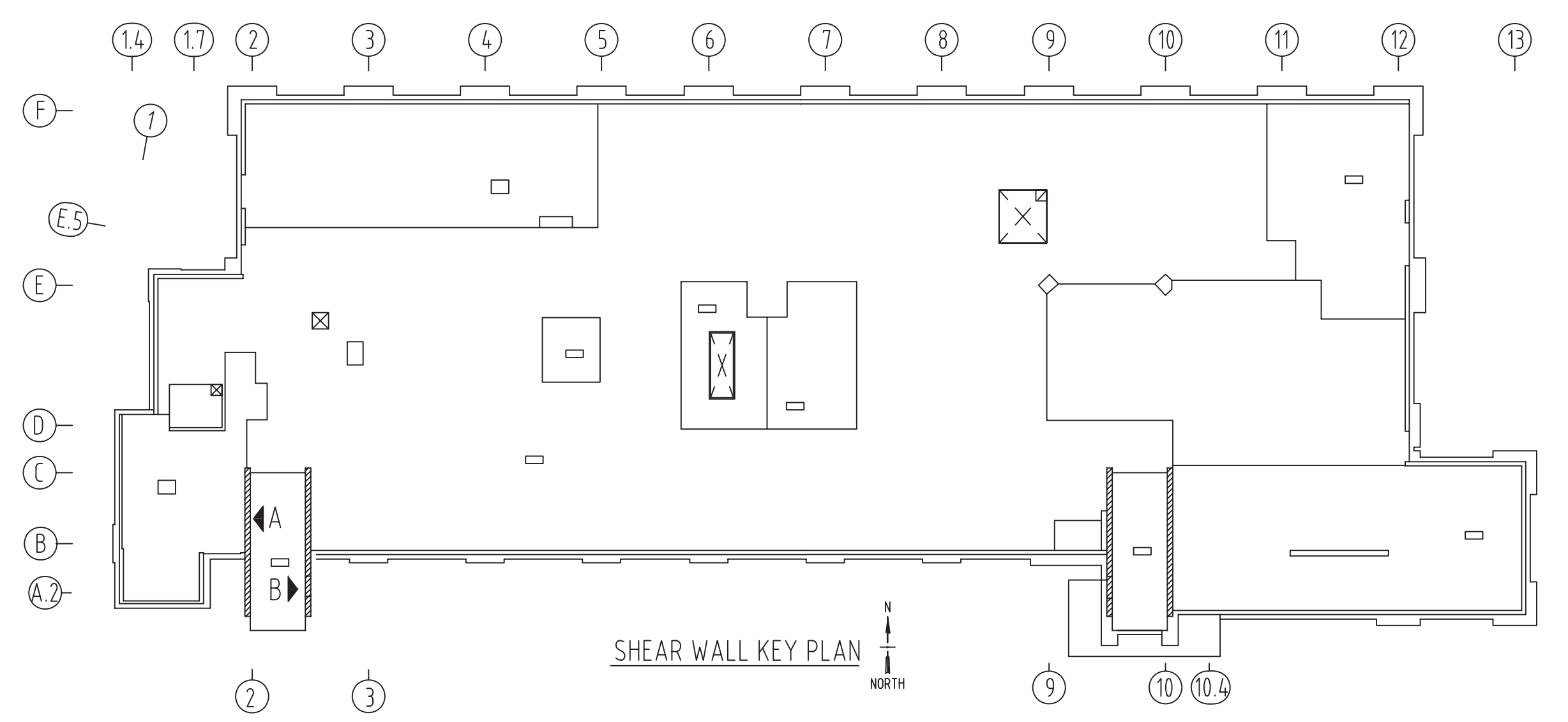
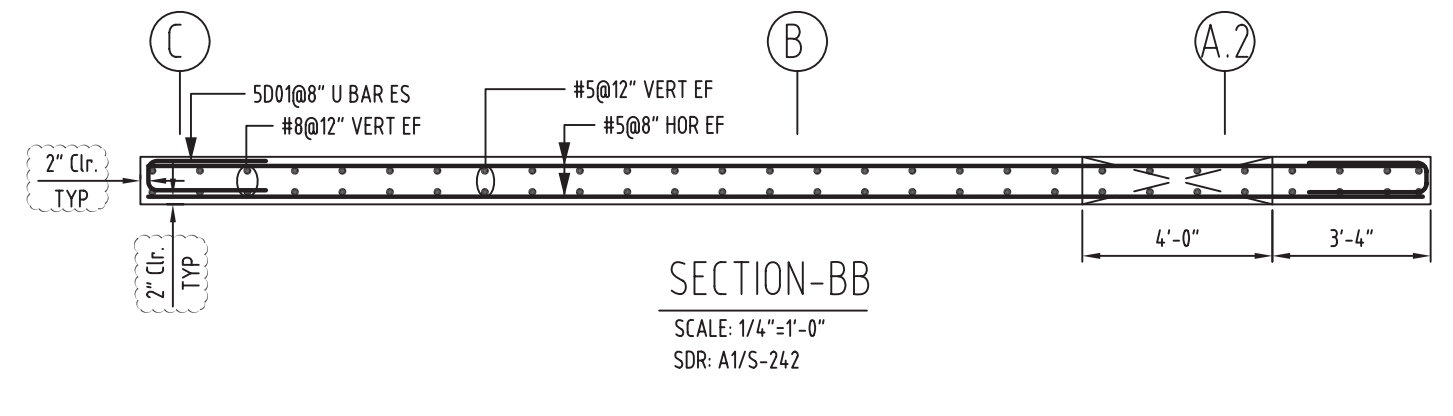
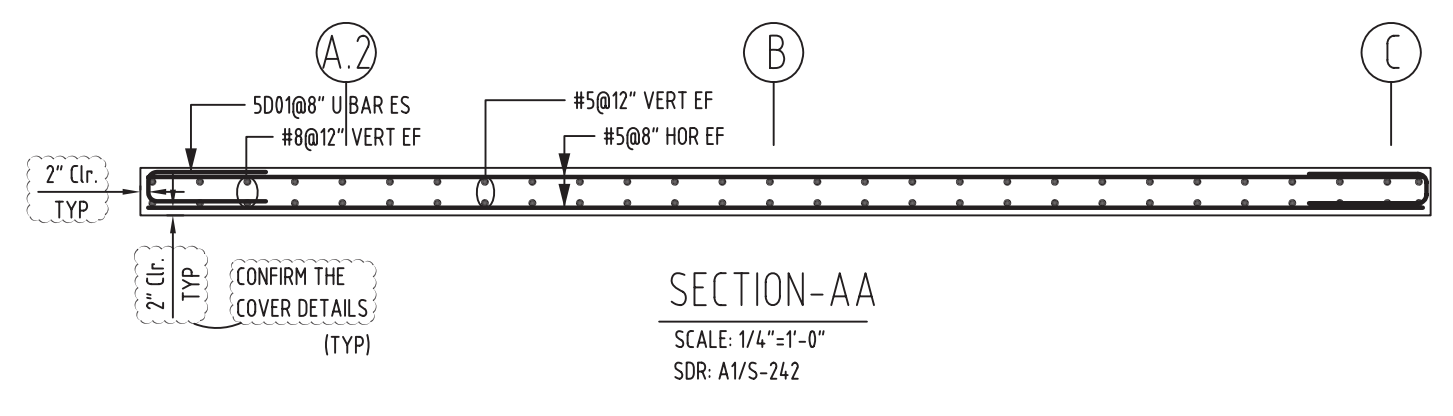


WEST STAIR SHEAR WALL-1
ELEVATION A
SCALE: 1/4"=1'-0"
SDR: A1/S-242



WEST STAIR SHEAR WALL-2
ELEVATION B
SCALE: 1/4"=1'-0"
SDR: A1/S-242



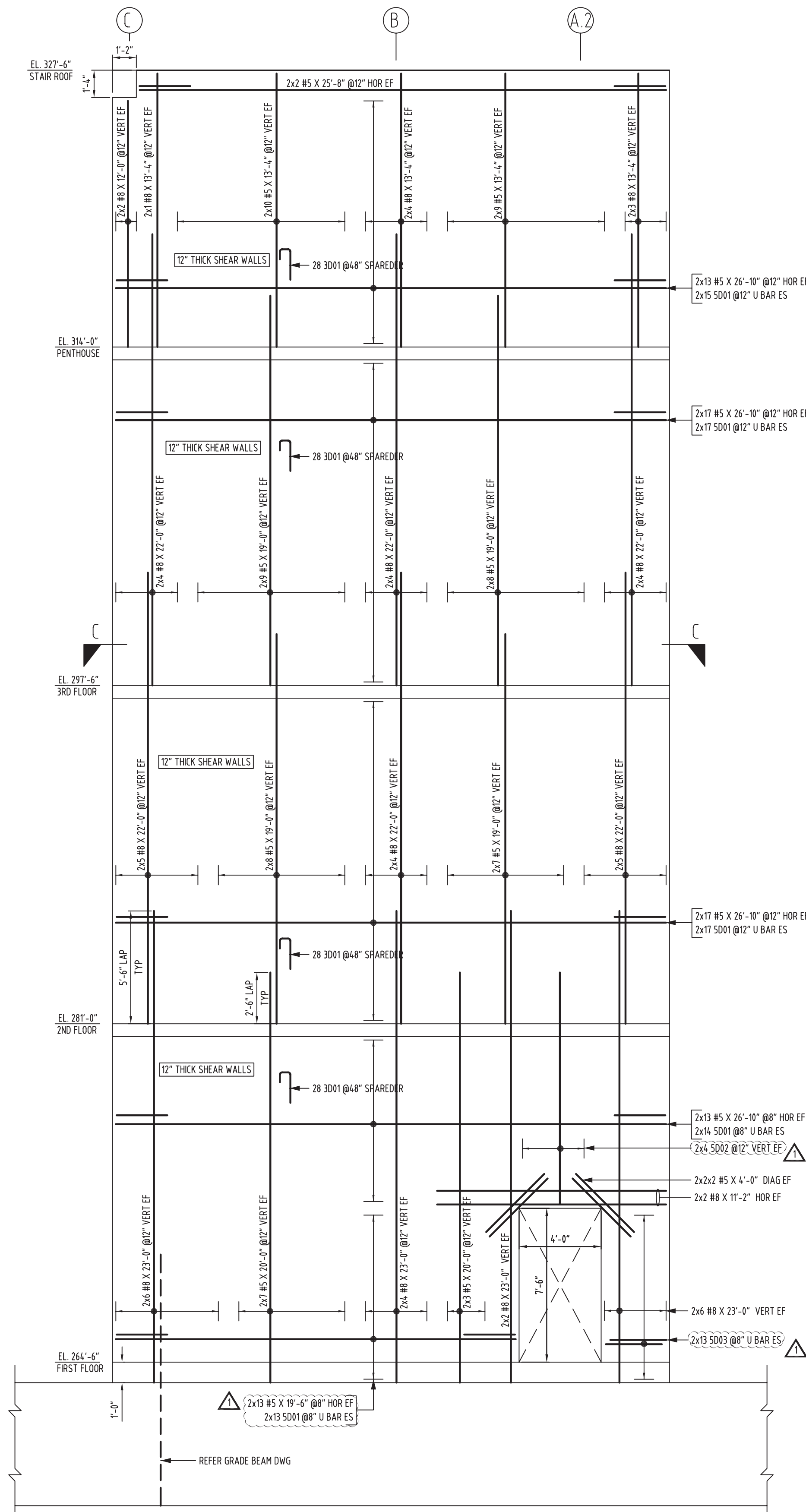
A-615 GRADE 60 (BLACK)

REV	DATE	DESCRIPTION	DATE	APPROVAL
△	01-24-11	FOR APPROVAL(ADD C/J LOCATION)		
△	01-13-11	FOR AE COMMENTS		
△	12-16-10	FOR AE COMMENTS	11-09-10	FOR APPROVAL

PERFORMING STEEL PLACING DRAWING ONLY USE IN CONJUNCTION WITH CONTRACT DRAWINGS & SPECIFICATIONS. ELEVATIONS & DIMENSIONS SHOWN ON THIS DRAWING IS FOR DETAILING PURPOSES ONLY AND SHOULD NOT BE USED FOR CONSTRUCTION UNLESS VERIFIED BY ENGINEER OR CONTRACTOR.

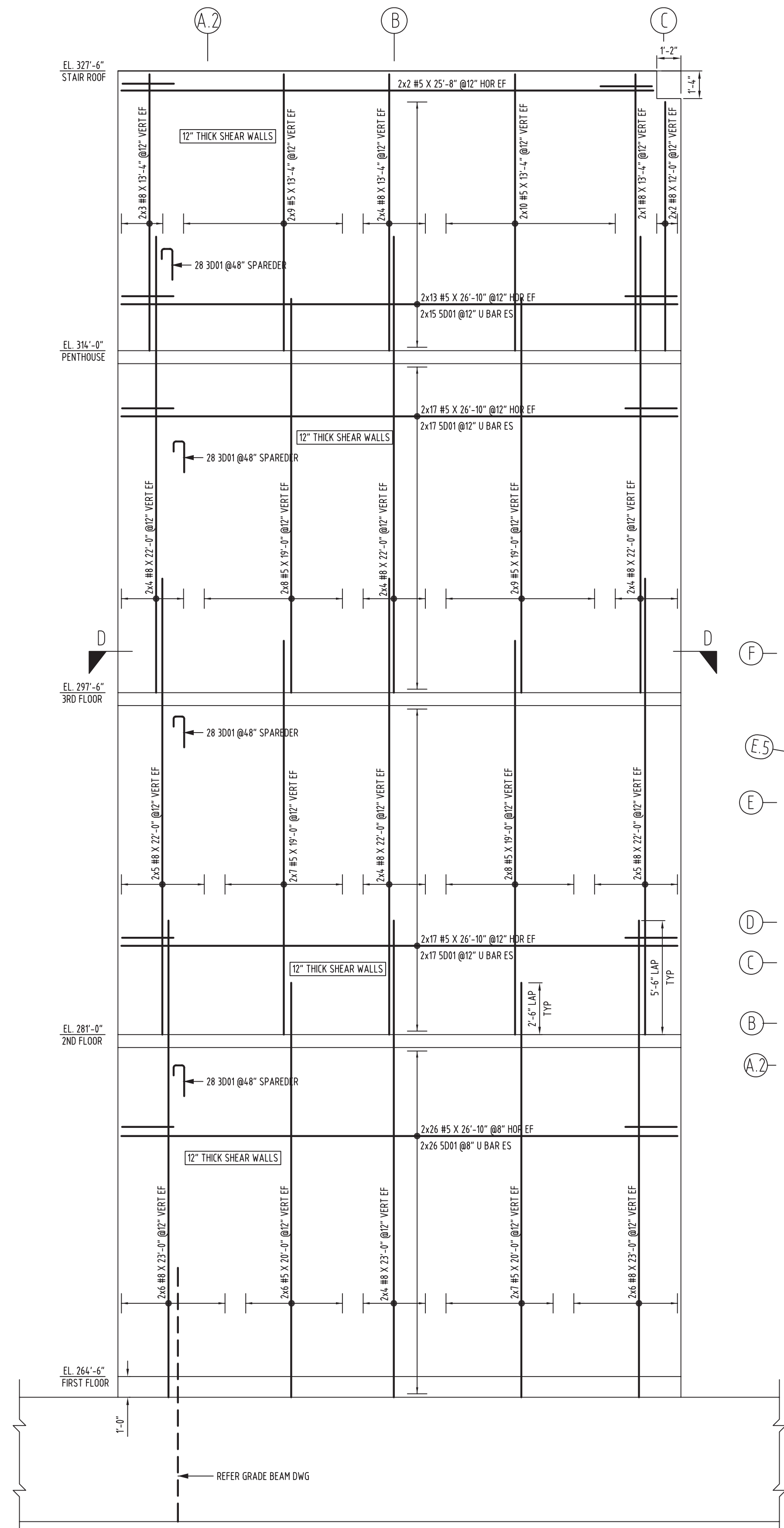
STRUCTURE	SHEAR WALL DETAILS PROVIDE FOOD LABORATORY & WEIGHTS AND MEASURES		
LOCATION	STATE OFFICE CAMPUS BUILDING NO.6 ALBANY,NY		
ARCHITECT	HDR/CUH2A ARCHITECTURE		
ENGINEER	CHAZEN ENGINEERING.		
CUSTOMER			
MADE BY	MST	DATE	11-09-10
CONTRACT No.	U1782		
DRAWING COVERS	PART-1 & PART-2 SHEAR WALL DETAILS		
DRAWING No.	R04 △		

NOTES :
ALL DRAWINGS NOT TO SCALE



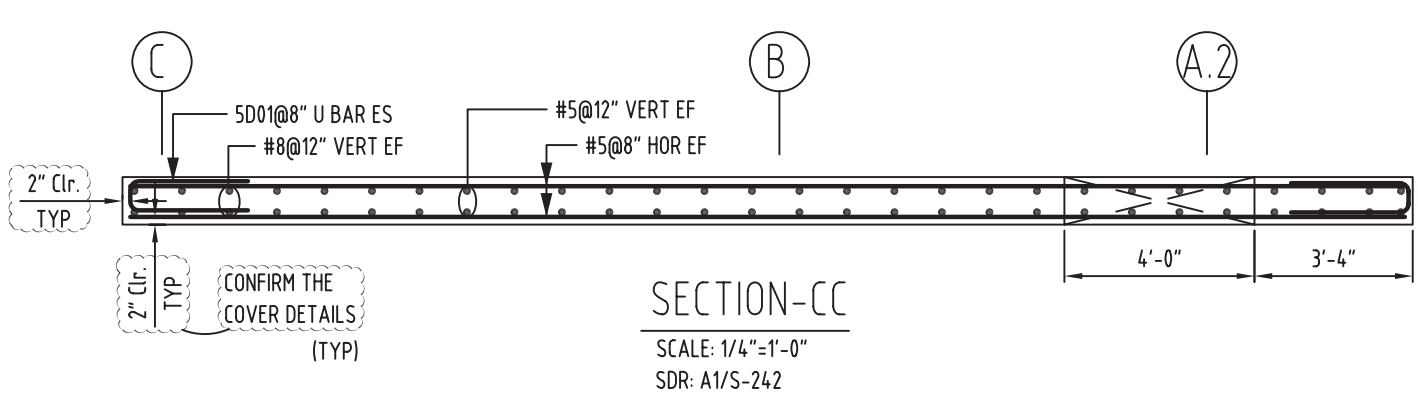
EAST STAIR SHEAR WALL-3
ELEVATION C

SCALE: 1/4"=1'-0"
SDR: A1/S-242



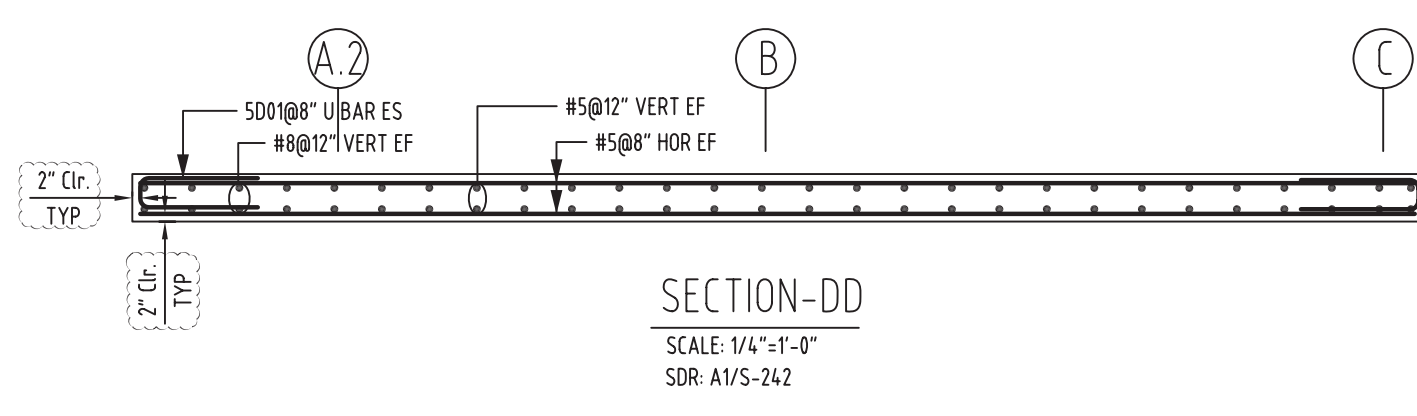
EAST STAIR SHEAR WALL-4
ELEVATION D

SCALE: 1/4"=1'-0"
SDR: A1/S-242



SECTION-CC

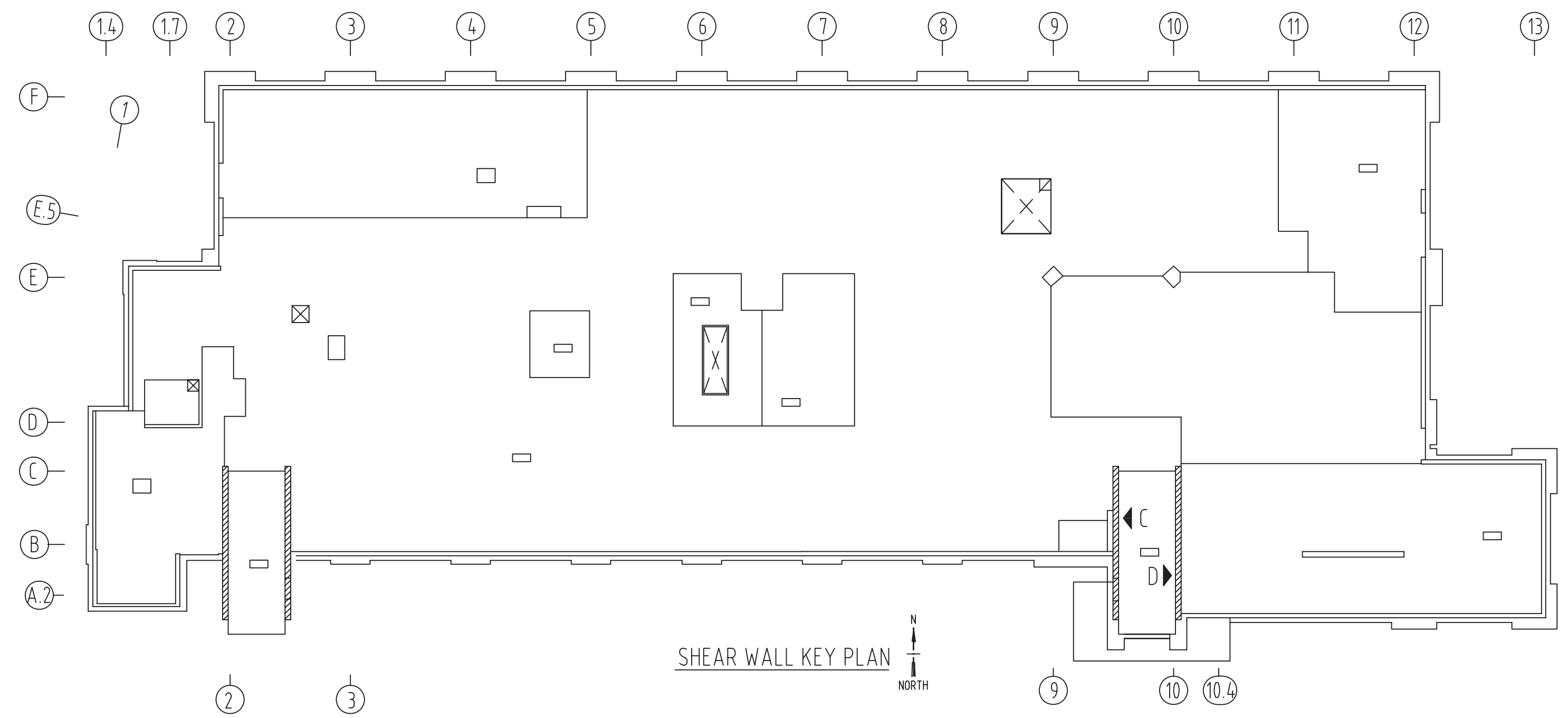
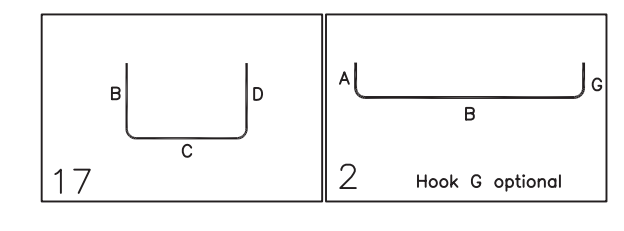
SCALE: 1/4"=1'-0"
SDR: A1/S-242



SECTION-DD

SCALE: 1/4"=1'-0"
SDR: A1/S-242

Bar Mark	Qty	Size	Total Length	Type	X'	Y'	Z'	BENDING DETAILS											
3001	518	#3	2'-6 X 17																
3001	642	#3	5'-8 X 17																
3002	48	#5	12'-2 X 2																
3003	522	#3	6'-2 X 17																
3004	48	#5	15'-9 X 2																



SHEAR WALL KEY PLAN

A-615 GRADE 60 (BLACK)

REV	DATE	DESCRIPTION	DATE	APPROVAL
△	01-24-11	FOR AE COMMENTS	01-24-11	FOR FIELD USE
△	01-13-11	FOR AE COMMENTS		
△	12-16-10	FOR AE COMMENTS	11-09-10	FOR APPROVAL

PERFORMING STEEL PLACING DRAWING ONLY USE IN CONJUNCTION WITH CONTRACT DRAWINGS & SPECIFICATIONS. ELEVATIONS & DIMENSIONS SHOWN ON THIS DRAWING IS FOR DETAILING PURPOSES ONLY AND SHOULD NOT BE USED FOR CONSTRUCTION UNLESS VERIFIED BY ENGINEER OR CONTRACTOR.

STRUCTURE	SHEAR WALL DETAILS		
LOCATION	PROVIDE FOOD LABORATORY & WEIGHTS AND MEASURES		
ARCHITECT	STATE OFFICE CAMPUS BUILDING NO.6		
ENGINEER	ALBANY, NY		
CUSTOMER	HDR/CH2A ARCHITECTURE		
MADE BY	MST	DATE	11-09-10
DRAWING COVERS	PART-1 & PART-2 SHEAR WALL DETAILS		CONTRACT No. U1782
			DRAWING No. R04A

NOTES:
ALL DRAWINGS NOT TO SCALE